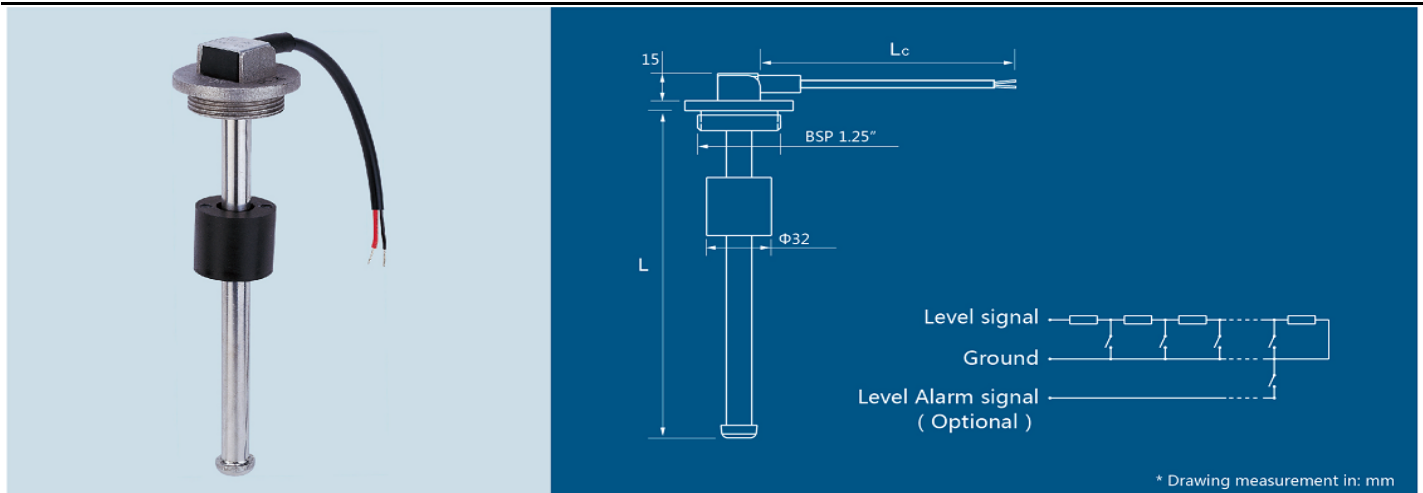


Product Data Sheet



Description: The electric liquid level sending units are widely used in marine, on-road, off-road, generator set, and industrial applications. The electric liquid level sending unit utilizes reed switch and magnetic field technology. The advantage of reed switch type level sender over thick-film swing arm type level sender is the reed switch's durability and reliability. Additionally in reed switch level senders the float is the only moving part of the sender, thereby minimizing potential mechanical failures.

Product Type:	Electric Liquid Level Sending Unit
Product Name:	S3U Sender
Material:	Body: SUS 316 Stainless Steel Float: NBR Cable: PVC
Mounting Method:	BSP 1.25" threaded
Protection Rating:	IP 65
Output Signal:*	American Standard 240-33 ohms (240 ohms at empty , 33 ohms at full) European Standard 0-180 ohms (0 ohms at empty, 180 ohms at full) *Voltage output available upon request *Current output available upon request *Customized output curve available upon request
Resolution:*	21mm *Finer resolution (as low as 4.5mm) available upon request
Operation Temperature:	-40°F ~ +185°F (-40°C ~ +85°C)
Operating Voltage:	12VDC or 24VDC system. The sender draws power through signal wire
Rated Power Draw:	125mW
Length:*	American Standard Output 4" through 96" at 1" increments European Standard Output 100mm through 2500mm at 50mm increment



Sensing Quality, Gauging Success!

3350 Davie Road, Suite 203

Davie, FL 33314

(954)463-1075

www.kus-usa.com

www.kusauto.com/en

Part Number

American Standard				European Standard			
L=Length	p/n	L=Length	p/n	L=Length	p/n	L=Length	p/n
4"	153092A	33"	153121	100 mm	S3-100	1550 mm	S3-1550
5"	153093	34"	153122	150 mm	S3-150	1600 mm	S3-1600
6"	153094	35"	153123	200 mm	S3-200	1650 mm	S3-1650
7"	153095	36"	153124	250 mm	S3-250	1700 mm	S3-1700
8"	153096	37"	153125	300 mm	S3-300	1750 mm	S3-1750
9"	153097	38"	153126	350 mm	S3-350	1800 mm	S3-1800
10"	153098	39"	153127	400 mm	S3-400	1850 mm	S3-1850
11"	153099	40"	153128	450 mm	S3-450	1900 mm	S3-1900
12"	153100	41"	153129	500 mm	S3-500	1950 mm	S3-1950
13"	153101	42"	153130	550 mm	S3-550	2000 mm	S3-2000
14"	153102	43"	153131	600 mm	S3-600	2050 mm	S3-2050
15"	153103	44"	153132	650 mm	S3-650	2100 mm	S3-2100
16"	153104	45"	153133	700 mm	S3-700	2150 mm	S3-2150
17"	153105	46"	153134	750 mm	S3-750	2200 mm	S3-2200
18"	153106	47"	153135	800 mm	S3-800	2250 mm	S3-2250
19"	153107	48"	153136	850 mm	S3-850	2300 mm	S3-2300
20"	153108	49"	153137	900 mm	S3-900	2350 mm	S3-2350
21"	153109	50"	153138	950 mm	S3-950	2400 mm	S3-2400
22"	153110	51"	153139	1000 mm	S3-1000	2450 mm	S3-2450
23"	153111	52"	153140	1050 mm	S3-1050	2500 mm	S3-2500
24"	153112	53"	153141	1100 mm	S3-1100		
25"	153113	54"	153142	1150 mm	S3-1150		
26"	153114	55"	153143	1200 mm	S3-1200		
27"	153115	56"	153144	1250 mm	S3-1250		
28"	153116	57"	153145	1300 mm	S3-1300		
29"	153117	58"	153146	1350 mm	S3-1350		
30"	153118	59"	153147	1400 mm	S3-1400		
31"	153119	60"	153148	1450 mm	S3-1450		
32"	153120			1500 mm	S3-1500		

* Additional lengths available upon request. Please contact us for more information