

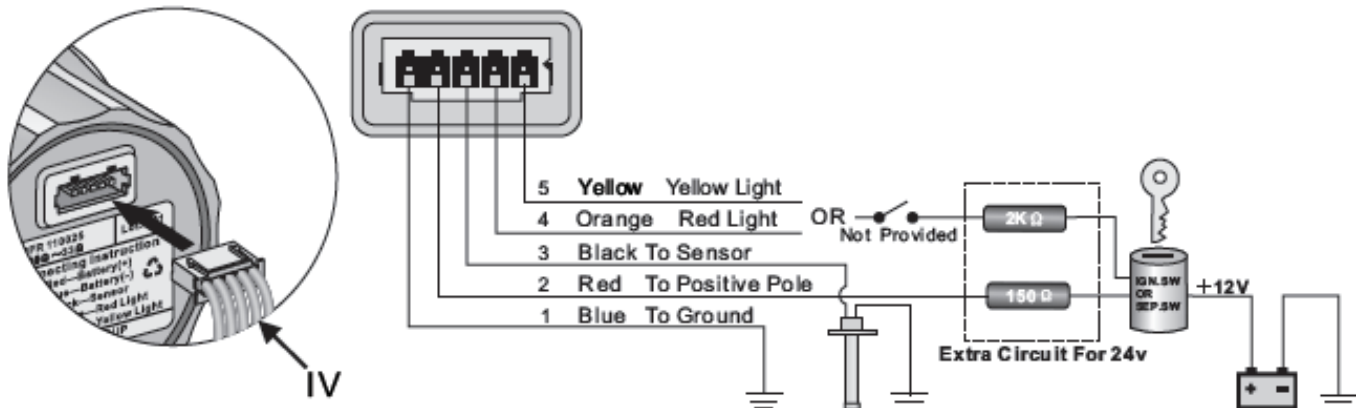
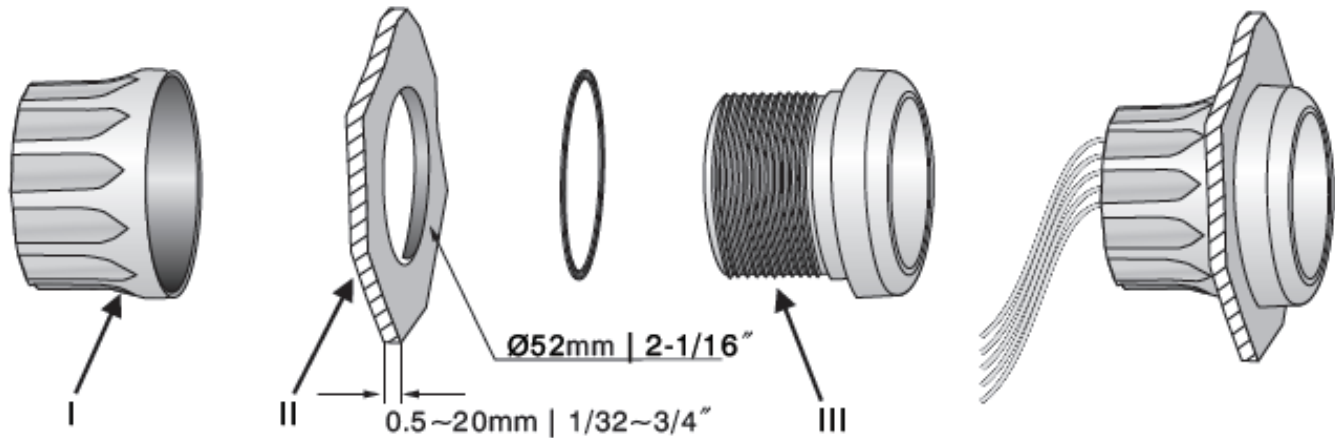
## Product Data Sheet



**Description:** KUS Oil Pressure Gauge allows the user to monitor the oil pressure of their system, ensuring all the components are properly lubricated for optimal performance. The Oil Pressure Gauge are available in 0-75 psi (0-5 bar), 0-145 psi (0-10 bar), and 0-365 psi (0-25bar)

<b>Product Type:</b>	Pressure Gauge	
<b>Product Name:</b>	CEPR	
<b>Bezel:</b>	SS 316 Stainless Steel	Plastic in Black/White
<b>Face Plate:</b>	Black	White
<b>Mounting Dimension:</b>	52mm, 2"	
<b>Protection Rating:</b>	IP67; works 1m underwater	
<b>Signal:</b>	10- 184 $\Omega$	
<b>Indicating Range:</b>	0-75 psi (0-5 bar), 0-145 psi (0-10 bar)	
<b>Display</b>	LCD	
<b>Operating Voltage:</b>	12/24V	
<b>Background light</b>	Red or Yellow	
<b>Connector:</b>	Multi-plug socket connection	

## Installation Instructions



## INSTALLATION STEPS

1. Cut a 52mm (2 1/16") diameter panel hole (II). You will need a minimum clearance of 55mm (2 3/16") behind the panel to fit the gauge.
2. Remove fastening ring (I). There is an alignment tab on the gauge body (III), place the gauge in the panel hole and mark the position of this tab to correctly align the gauge.
3. Insert gauge through panel from the front, fit and tighten fastening ring (I) from the rear.
4. Connect wires according to wiring instruction. Note the use of dropping resistors for 24V circuit. Select either Orange or Yellow wires for backlighting. Wire colour corresponds with backlight colour.
5. Insert wire harness (IV) into port at the back of the gauge.
6. Please note, if the gauge is a voltmeter there is no black wire or resistors in the kit.