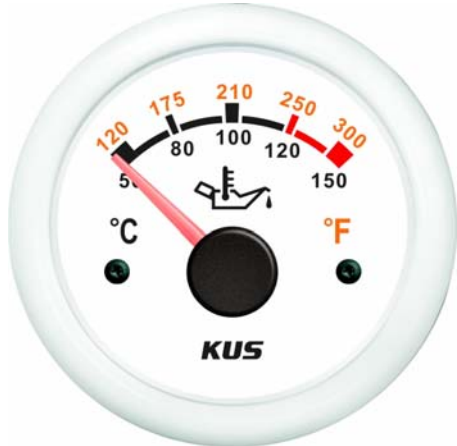


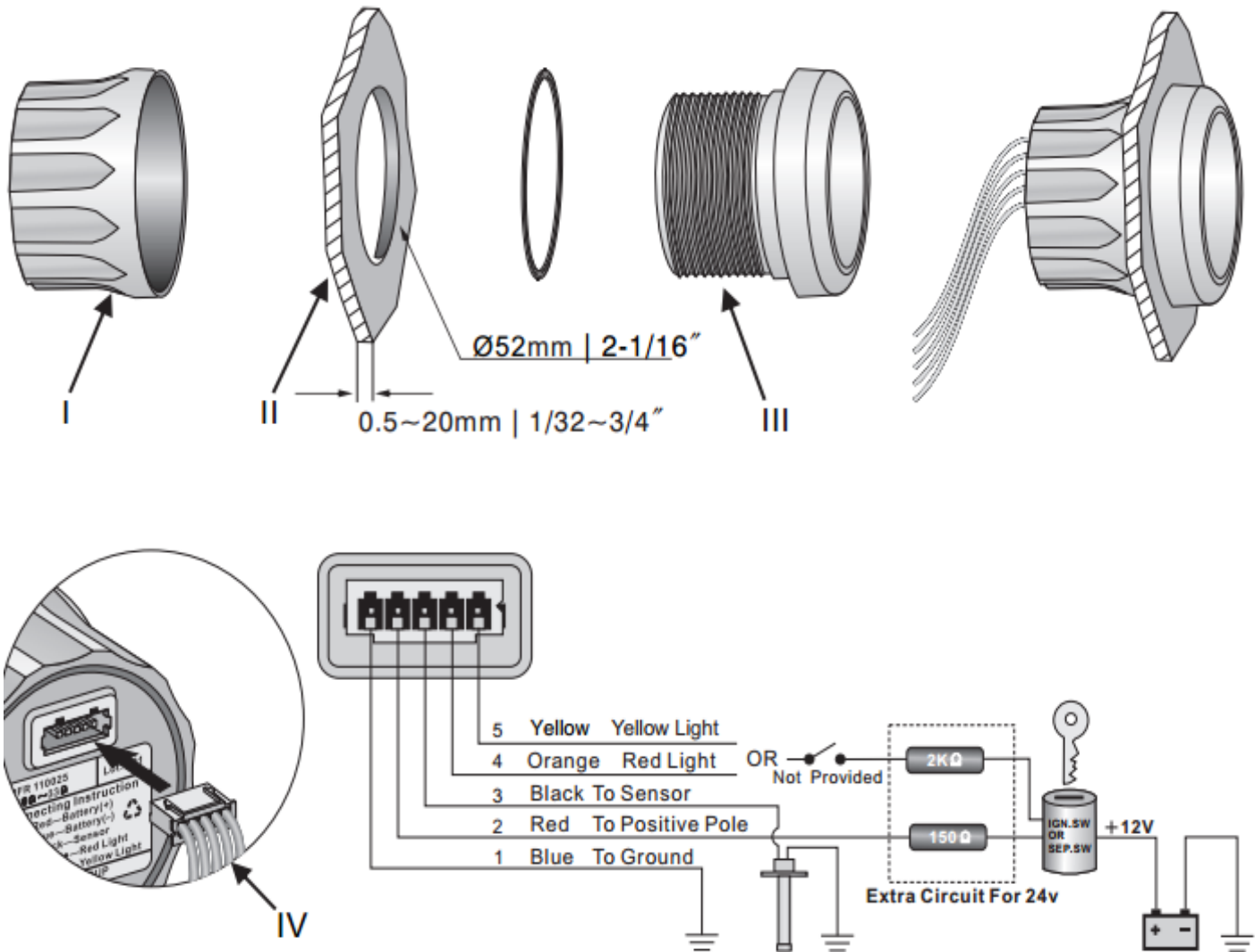
Product Data Sheet



Description: The Oil Temperature gauge allows the user to closely monitor the engine oil's temperature, ensuring the motor oil has not degraded prematurely thereby preventing additional wear and damage to the engine and its components.

Product Type:	Oil Temperature	
Product Name:	CPYR	
Bezel:	SUS 316 Stainless Steel	Black or White plastic
Face Plate:	Black	White
Mounting Dimension:	52mm, 2"	
Protection Rating:	IP 67 Front side	
Input Signal:	Matched with KUS temperature sensor	
Movement:	Cross coil motor movement	
Operation Temperature:	-40°F ~ +185°F (-40°C ~ +85°C)	
Operating Voltage:	12VDC or 24VDC system.	
Rated Power Draw:	125mW	

Installation Instructions



INSTALLATION STEPS

1. Cut a 52mm (2 1/16") diameter panel hole (II). You will need a minimum clearance of 55mm (2 3/16") behind the panel to fit the gauge.
2. Remove fastening ring (I). There is an alignment tab on the gauge body (III), place the gauge in the panel hole and mark the position of this tab to correctly align the gauge.
3. Insert gauge through panel from the front, fit and tighten fastening ring (I) from the rear.
4. Connect wires according to wiring instruction. Note the use of dropping resistors for 24V circuit. Select either Orange or Yellow wires for backlighting. Wire colour corresponds with backlight colour.
5. Insert wire harness (IV) into port at the back of the gauge.
6. Please note, if the gauge is a voltmeter there is no black wire or resistors in the kit.