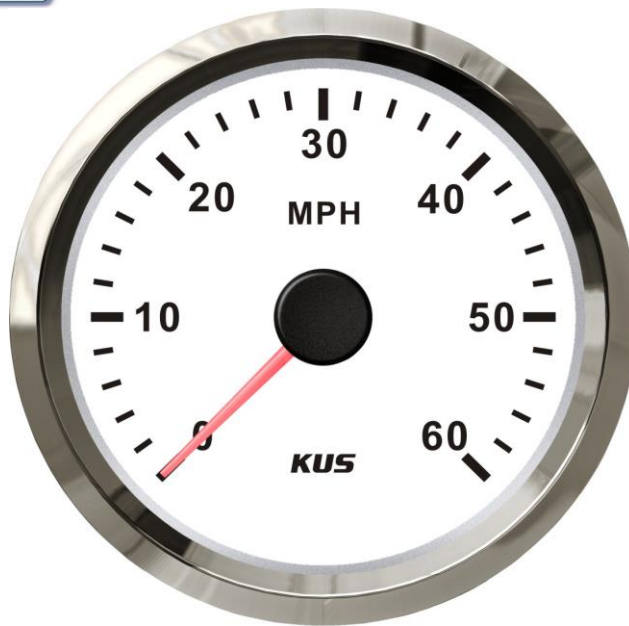
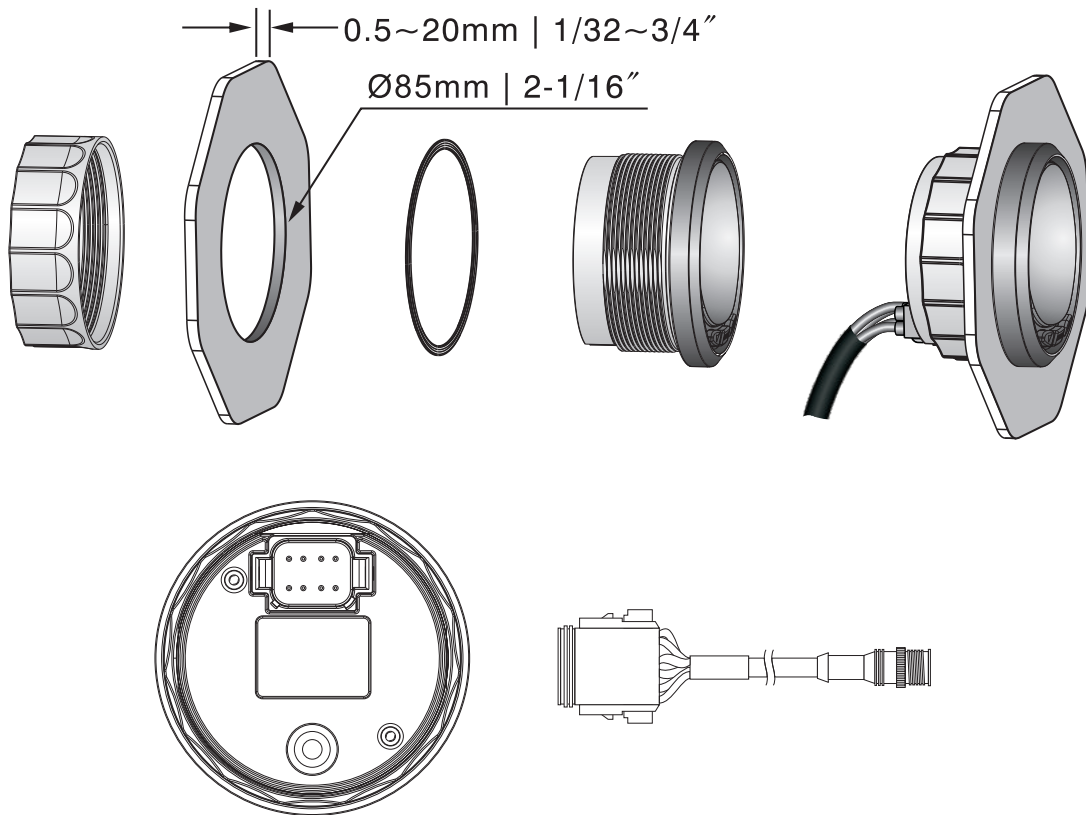


Product Data Sheet



Description:	The NMEA speedometer gauge allows the user to remotely monitor the speed of a vessel. These speedometer gauges will work with NMEA 2000 senders or resistive type senders with an analog converter.	
Product Type:	Speedometer Gauge	
Product Name:	NMOB	
Bezel:	SUS 316 Stainless Steel	
Face Plate:	Black	White
Mounting Dimension:	85mm, 3 3/8"	
Protection Rating:	IP 67	
Input Signal:	NMEA 2000 & J1939	
Indicating Range:	0 - 60MPH	
Operating Voltage:	12V/24V	
Background light	Red LED	
Connector:	Standard NMEA 2000 cable. 1 meter long	
Movement:	Cross coil motor movement	

Installation Instructions



INSTALLATION STEPS

1. Cut a Ø85mm hole on the panel and ensure there is enough space behind the panel for gauge and harness mounting.
2. Assemble the seal ring into the gauge, then mount the gauge into the hole on the panel. Screw tightly with fastening ring.
3. Connect the cables as shown in the diagram.